

T-52-13-25  
T-58-11-13

■ Hybrid Voltage Regulators (Linear Type)

Type No.	Maximum Ratings (Ta=25°C)					Electrical Characteristics (Ta=25°C)						Fig. No.	Remarks
	V <sub>IN</sub> (V)	I <sub>out</sub> (A)	P <sub>c</sub> (W)	Top (°C)	T <sub>stg</sub> (°C)	V <sub>out</sub> (V)	V <sub>DIF</sub> (V)	ΔV <sub>o</sub> /ΔT (mV/°C)	Line Reg. (mV)	Load Reg. (mV)	Ripple Rej. (dB)		
STR90050	25	2	50	-20~+100 (T <sub>c</sub> )	-30~+125	5±0.1	1.0	±0.5	10	40	54	5	
90090						9±0.1		±1.0	15	60			
90120	30					12±0.2		±1.5	20	80			
90150						15±0.2							

Type No.	Maximum Ratings (Ta=25°C)					Electrical Characteristics (Ta=25°C)						Fig. No.	Remarks
	V <sub>IN</sub> (V)	I <sub>out</sub> (A)	P <sub>d</sub> (W)	Top (°C)	T <sub>stg</sub> (°C)	V <sub>out</sub> (V)	V <sub>DIF</sub> (V)	ΔV <sub>o</sub> /ΔT (mV/°C)	Line Reg. (mV)	Load Reg. (mV)	Ripple Rej. (dB)		
SI-3052V	15	2.0	50	-20~+100 (T <sub>c</sub> )	-30~+125	5±0.1	1.0	±0.5	10	40	54	6	
-3122V	25					12±0.2		±1.5	20	80			
-3152V	25					15±0.2							
STR9005	15	4.0	75	-20~+100 (T <sub>c</sub> )	-30~+125	5±0.1	1.0	±0.5	10	40	54	1	
9012	25					12±0.2		±1.5	30	80			
9015	25					15±0.2			50	100			
SI-3052P	30	2.0	50	-20~+80	-30~+125	5±0.1	3.0	±0.5	2	40	60	6	
-3122P	35					12±0.2		±1.5	10	80			
-3152P	40					15±0.2							
-3242P	40					24±0.2							

■ Hybrid Voltage Regulators (Chopper Type)

Type No.	Maximum Ratings (Ta=25°C)					Electrical Characteristics (Ta=25°C)						Fig. No.	Remarks
	V <sub>IN</sub> (V)	I <sub>out</sub> (A)	P <sub>d</sub> (W)	Top (°C)	T <sub>stg</sub> (°C)	V <sub>out</sub> (V)	V <sub>IN</sub> (V)	ΔV <sub>o</sub> /ΔT (mV/°C)	Line Reg. (mV)	Load Reg. (mV)	Ripple Rej. (dB)		
STR2005	45	2.0	75	-20~+100	-20~+125	5.1±0.1	11~40	-	50	100	45	1	
2012						12±0.2	18~45						
2013						13±0.2	19~45						
2015						15±0.2	21~45						
2024						50	24±0.3		30~50				

■ Hybrid Stepping Motor Drivers

Type No.	Maximum Ratings (Ta=25°C)					Electrical Characteristics (Ta=25°C)						Fig. No.	Remarks
	V <sub>cc</sub> (V) (surge)	I <sub>L</sub> (A)	T <sub>j</sub> (°C)	Top (°C)	T <sub>stg</sub> (°C)	V <sub>cc</sub> (V)			I <sub>o</sub> (A)	I <sub>in</sub> (mA)			
						min	typ	max					
SI-7200E	70	1.2	125	-20~+80	-30~+100	20	30	50	1.0	1.6	7	Bipolar drive	
SI-7230E		3.0							2.5				
SI-7115B	40	1.7	125	-20~+80	-30~+100	20	24	30	1.5	5	8	Unipolar drive	
SI-7300A	48	1.7	125	-20~+80	-30~+100	15	30	42	1.5	45	9	Unipolar drive	
SI-7330A	42	3.2	125	-20~+80	-30~+100	15	30	35	3.0	45	10	Unipolar drive	
SI-7500A	40	1.2	125	-20~+80	-30~+100	17	24	30	1.0	0.21	10	Unipolar drive	
SI-7200M	50	1.2	125	-20~+80	-30~+100	15	30	40	1.0	1.6	9	Bipolar drive	
SI-7230M	70	3.2	125	-20~+80	-30~+100	15(V <sub>CC1</sub> ) 4.5(V <sub>CC2</sub> )	30(V <sub>CC1</sub> ) 5(V <sub>CC2</sub> )	45(V <sub>CC1</sub> ) 5.5(V <sub>CC2</sub> )	0.2~3(I <sub>o</sub> ) 0.58(I <sub>om</sub> )	1.6	10	Bipolar drive	

Hybrid Stepping Motor Drivers

Type No.	Maximum Ratings (Ta=25°C)							Electrical Characteristics (Ta=25°C)			
	Power Stage	MOS-FET	Control Stage	TTL	VREF	Io	Tstg	DC Characteristics			
	Vcc(V)	Voss(V)	Vs(V)	Vin(V)	(V)	(A)	(°C)	Control Stage	Control Stage		
								Is(mA)	Vs(V)		
								typ	min	typ	max
SLA7020M	46	100	32	7	2	1.5	-40~+150°C	10	10	19	30

Electrical Characteristics (Ta=25°C)										Remarks	Fig. No.		
DC Characteristics									AC Characteristics				
MOS-FET	MOS-FET	TTL	TTL	TTL	TTL	TTL	TTL	MOS-FET	Switching Time				
VDS(ON) (V)	Ioss(mA)	IiH(μA)	IiL(mA)	Vih(V) at I <sub>D</sub> =1A	Vil(V) at V <sub>DSS</sub> =100V	Vih(V) at V <sub>DSS</sub> =100V	Vil(V) at I <sub>D</sub> =1A	Vso(V)	tr(μs)	tstg(μs)	tf(μs)		
max	max	max	max	min	max	min	max	max	typ	typ	typ		
0.6	4	40	-0.8	2.0	0.8	2.0	0.8	1.1	0.5	0.7	0.1	MOS-FET in Power Stage	11

Outline Drawings (Dimensions in mm)

Fig 1

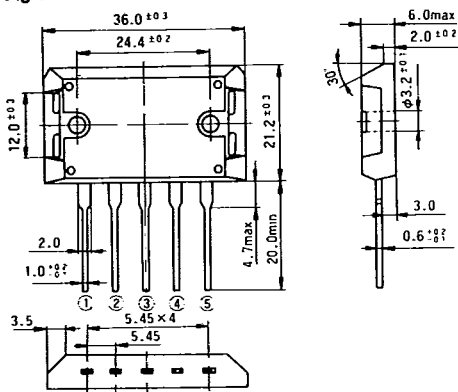


Fig 2

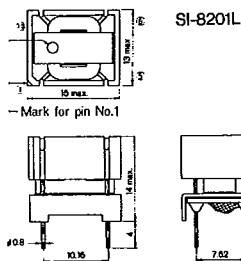


Fig 3

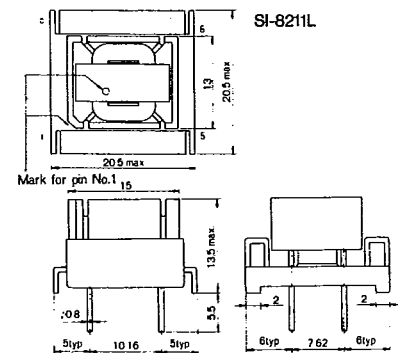


Fig 4

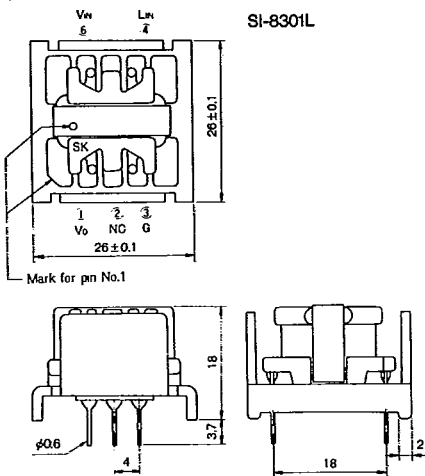


Fig 5

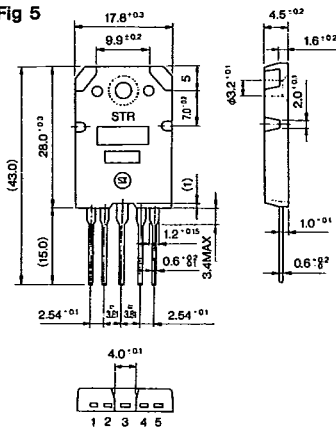


Fig 6 MT-100(TO-3P)

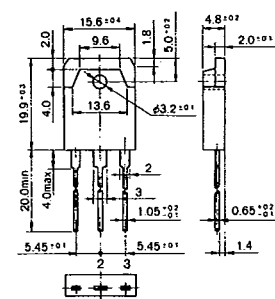


Fig 7

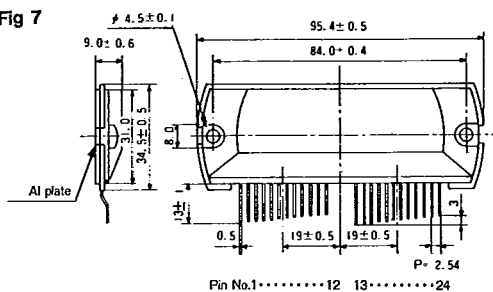


Fig 8

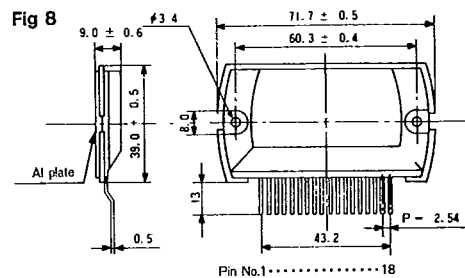


Fig 9

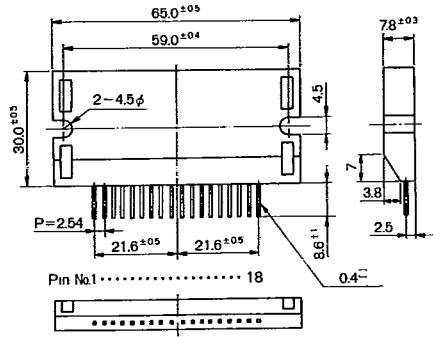


Fig 10

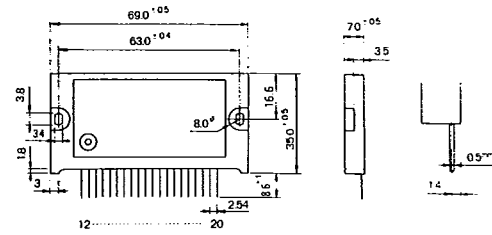


Fig 11 SLA 7020M

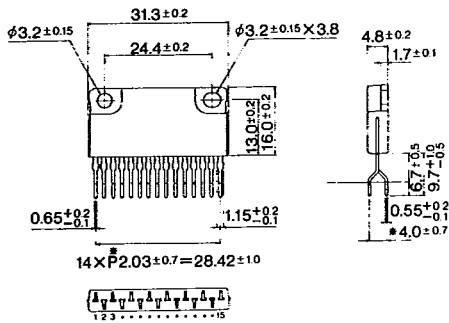
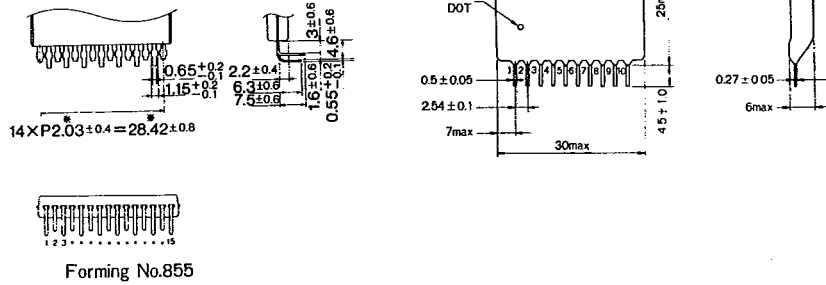
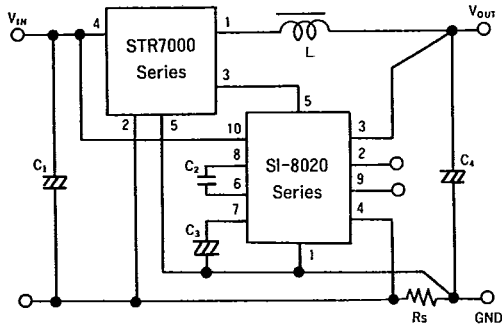


Fig 12

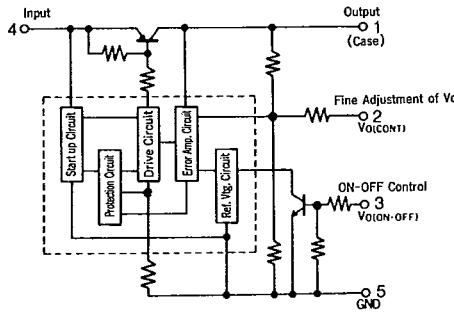


● Circuit Diagrams

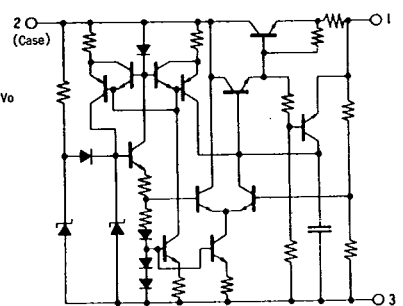
STR7000/SI-8020 Series



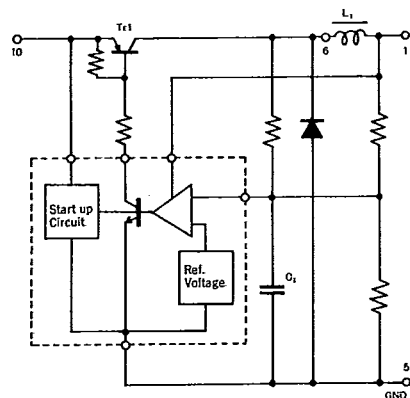
STR9000 Series



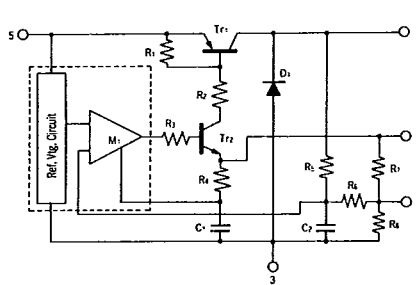
SI-3000P Series



SI-8201L



STR2000 Series



SI-7200E

